

HOW TO MAKE CUSTOM-SIZED IKEA KITCHEN CABINETS

A Publication of
Inspired Kitchen Design

IKD INSPIRED
KITCHEN
DESIGN

IKEA has limited cabinet widths as well as corner cabinet options. There are also limited cabinet choices for appliances and sinks with IKEA. Your professional kitchen design should not be limited by standard modules. With a little extra effort, you can modify and adjust standard cabinets into exactly what you need for your desired results.

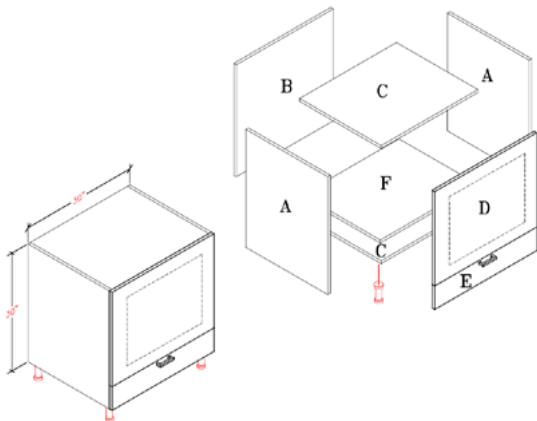
These are meant to be General Guidelines – please confirm with an IKEA employee/installer before beginning your project.

1. 6"-WIDE BASE OR WALL CABINET

IKEA sells only eight widths of base and wall cabinets. They range in increments of 3" - from 12" to 36" (there isn't a 27" wide, for example, which can make your specific kitchen design difficult). There will always be small spaces that can be filled with cabinets. A few inches of empty space are required in kitchen designs; especially when your cabinets are meant to be installed between two walls. A good kitchen designer will leave a few inches at each end in case the walls aren't 100% level, when measurements are different, or if there are any drawer cabinets against the wall. These spaces are covered with narrow fillers that are cut down easily from panels.

The problem is clearly visible when there are more than 6 inches leftover. This is just too much wasted space. Also, large fillers do not look professional. You will need a 6" wide cabinet to fill in this extra space. This applies to both wall and base cabinets.

For a 6" wide wall cabinet, you'll need:



A = Side panel from cabinet frame (24"x30")

B = Back panel from cabinet frame (Cut down to 4 1/2" x 28 1/2")

C = Top and bottom from cabinet frame (Cut down to 4 1/2" x 12")

D = Shelves (Cut down to 4 1/2" x 11")

E = 30"x6" drawer front

2. WIDE UNDERCOUNTER MICROWAVE CABINET WITH A DRAWER

IKEA offers only a 24" or 30" wide wall microwave cabinet. It's an integrated unit that has a two-door wall cabinet with a shelf for the microwave. However, you may not have enough space for this cabinet or you may have difficulties placing the microwave cabinet anywhere else above the countertop.

Designing a built-in microwave in a base cabinet isn't that challenging. In fact, a lot of people prefer having their base cabinets this way. The only thing you will have to consider before designing a microwave base cabinet is whether the microwave is 24" or 30" wide. A microwave that is 24" wide or less will provide enough space for a bottom drawer. However, if the microwave oven is larger, there will not be sufficient space for a drawer below. (See next example).

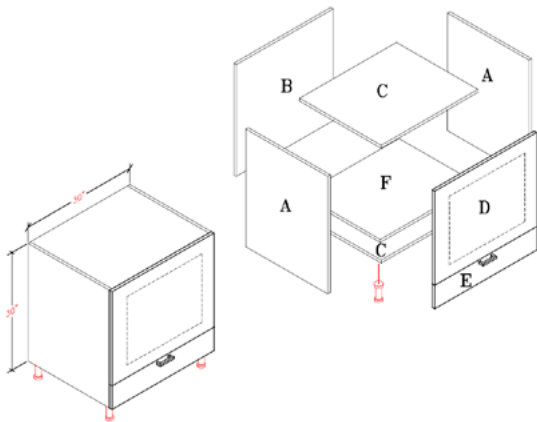
Another important point to consider is to purchase a microwave with a Trim Kit. Once the opening is cut for the microwave and the appliance is installed, there will be a rough open edge between the two opening and the microwave.

Trim kits give a polished, built-in look to microwaves installed in a wall or cabinet. They cover the rough edge with a stainless steel frame and provide a clean, modern finish.

For a 30"- wide microwave base with a drawer, you will need:

Materials from IKEA

- *30" base cabinet base frame*
- *30" shelf for a microwave oven*
- *6x30 drawer front*
- *Set of RATIONELL deep fully-extending drawer slides and drawer dampers.*
- *Set of 4 AKURUM cabinet legs*
- *30 x 40 Front for Integrated Appliances*



- A = Side panels from cabinet frame (24"x30")*
- B = Back panel from cabinet frame (30" x 30")*
- C = Top panel from cabinet frame (30"x24")*
- D = Microwave cut-out to be done on site*
- E = Drawer front (30"x6")*
- F = Shelf for microwave oven*

3. UNDERCOUNTER MICROWAVE CABINET WITHOUT A DRAWER

There's no need to over-complicate a kitchen design when putting a microwave in a base cabinet. In fact, a lot of people prefer to use base cabinets for their microwaves because they're easily accessible for everyone in the family.

The only consideration for designing a microwave base cabinet is whether the appliance is 24" or 30" wide because the total height of the microwave will depend on the width as well. If the microwave is 24" wide or less, there would be enough space for a drawer below. However, this wouldn't be possible if the microwave were 30" wide.

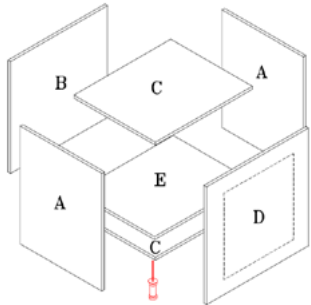
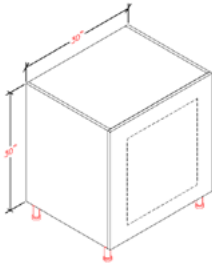
Another important tip is to purchase a microwave with a Trim Kit. The trim kit covers the rough edge and provides a clean, built-in stainless steel look.

The results are modern and professional.

For a 30"- wide microwave base with a drawer, you will need:

Materials from IKEA

- *30" base frame*
- *30" shelf for a Microwave oven*
- *A set of 4 AKURUM legs*
- *30 x 40 Front for Integrated Appliances*



- A = Side panels from cabinet frame (24"x30")*
- B = Back panel from cabinet frame (30" x 30")*
- C = Top panel from cabinet frame (30"x24")*
- D = Microwave cut-out to be done on site*
- E = Shelf for microwave oven*

4. 42" OR 45"-WIDE BLIND CORNER BASE CABINET

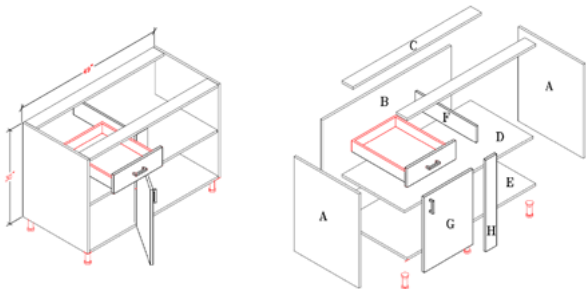
IKEA only offers two options for base corners: a 49" straight corner cabinet with door/drawer or a 37" x 37" corner cabinet. Here, we'll discuss the 49" straight base cabinet (which is also called a "blind corner cabinet") and what to do if you don't have 49" available for your cabinet.

Essentially, two things will need to be done: cut the cabinet and buy a smaller door. Since IKEA's standard door width defines the range of how much the cabinet can be reduced, one is limited to either reducing the cabinet to a 45" or 42" wide space.

For a 42" or 45" blind corner base cabinet, you'll need:

Materials from IKEA

- *49" base corner cabinet frame*
- *RATIONELL shelf for a corner base cabinet*
- *Perfekt cover panel for a base corner cabinet*
- *18" x 6" drawer front (for a 45" base)*
- *15" x 6" drawer front (for a 42" base)*
- *18" x 24" door (for a 45" base)*
- *15" x 24" door (for a 42" base)*
- *RATIONELL fully-extending drawer and damper*
- *Set of INTEGRAL hinges*
- *2 sets of AKURUM legs (only 6 legs will be used)*



A = Side panels from cabinet frame (24"x30")

B = Back panel from cabinet frame (49" wide, cut down to 45" or 42")

C = Top fillers from cabinet frame (49"x3")

D = Shelf from cabinet frame (49" x 24")

E = Bottom panel from cabinet frame (49"x24")

F = Divider for drawer box

G = Blind cabinet door (18"x24" for a 45"-wide cabinet / 15"x24" for a 42"-wide cabinet)

H = Side filler for exposed cabinet side

5. 36"-WIDE BASE CABINET FOR A DEEP FARMHOUSE SINK OR FRONT-CONTROLLED COOKTOP

IKEA's sells 24" and 36" sink bases that are meant for their DOMSJO farmhouse sinks.

These sinks are about 10" high at the front and the cabinet is made so that the sink sits at about $\frac{3}{4}$ " above the countertop.

These sink bases are ideal for front-controlled cooktops also because they share the same features and also must sit at about $\frac{3}{4}$ " above the countertop.

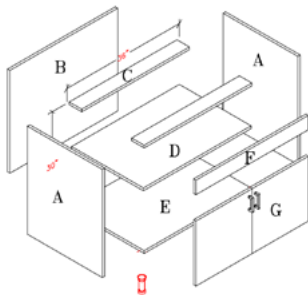
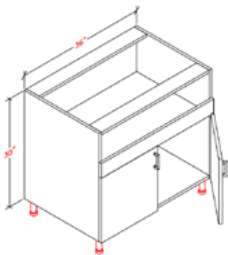
There are many farmhouse sinks and front-controlled cooktops deeper than 10" that aren't sold by IKEA and it's easy to adapt a base cabinet for them.

The maximum depth for either is 13" for this specific customization.

For a 36"-wide base cabinet for a deep farmhouse sink or front-controlled cooktop, you'll need:

Materials from IKEA

- *36" base cabinet frame*
- *18" x 18" door*
- *INTEGRAL hinge and door damper*
- *Set of AKURUM cabinet legs*
- *Front for integrated appliances (30"x40")*



A = Side panel from cabinet frame (24"x30")

B = Back panel from cabinet frame (36"x30")

C = Under-counter material (included with cabinet frame, may be removed depending on the size of the sink bowl)

D = Shelf cut down from a 30"x40" front for integrated appliances (36"x24")

E = Bottom panel from cabinet frame (36"x24")

F = Filler strip cut from a panel (Size adjusted on site)

G = Cabinet doors (18"x18")

You know how it is.

You want a stunning new kitchen design to bring your house or apartment to life, but when you get to the IKEA showroom, you wonder how it will fit into your place. And you also wonder how you will ever bring this ambitious vision to life.



At **IKD**, we have skilled designers and we use professional design software to accurately calculate the necessary materials for your project and adapt to the specific needs for your **IKEA** kitchen design.

**Let's get started with
your IKEA kitchen design!**

**A PROFESSIONAL
DESIGN FOR YOUR
KITCHEN**

Inspired Kitchen Design
made easy



**Ikea's Home Planner
is not for everyone**

About IKD

We're a group of eight professional designers who have been skillfully creating kitchens since 2006. This eBook carefully evolved out of a desire to provide personalized and dedicated design services to customers looking to use IKEA products for their home remodel projects.

Our goal is to enable our customers to have their design ideas come to life when using IKEA kitchen cabinets and furnishings, to provide inspiration and technical advice and support, to provide assistance with planning and to help with questions about modification and installation. Finally, we aim to provide answers to both common and uncommon inquiries, specifically about IKEA kitchen design issues.



It is not our intention to impersonate IKEA stores or services. We do not sell IKEA products. IKEA products are sold solely in stores operated by the IKEA Retail System—franchised by Inter IKEA Systems B.V. of The Netherlands.

We are not affiliated with IKEA in any way; we are not IKEA co-workers, partners, affiliates, sales representatives, nor are we sponsored, financially or otherwise, by Inter IKEA Systems B.V.

5 REASONS WHY
IKEA'S HOME PLANNER
WON'T GIVE YOU A
PROFESSIONAL DESIGN

A Member of
IKD INSPIRED
KITCHEN
DESIGN

HOW AND WHERE
DO I USE IKEA
KITCHEN PANELS?

A Member of
IKD INSPIRED
KITCHEN
DESIGN

10 INNOVATIVE AND
CREATIVE USES FOR
IKEA KITCHEN CABINETS
OUTSIDE THE KITCHEN

A Member of
IKD INSPIRED
KITCHEN
DESIGN

WHAT IKEA'S STANDARD
10' X 10' PRICE
DOESN'T TELL YOU

A Member of
IKD INSPIRED
KITCHEN
DESIGN

HOW TO MAKE
CUSTOM-SIZED IKEA
KITCHEN CABINETS

A Member of
IKD INSPIRED
KITCHEN
DESIGN

10 ESSENTIAL
MISCELLANEOUS
ITEMS FOR YOUR IKEA
KITCHEN DESIGN

A Member of
IKD INSPIRED
KITCHEN
DESIGN

www.inspiredkitchendesign.com
